



D 100 AHA



www.ausa.com

**AUSA Center, S.L.** ● Ctra. de Vic, Km 2.8 - P.O.B. 194. 08243 Manresa - BARCELONA (ESPAÑA) Tel.: +34 93 874 73 11 - E-mail: ausa@ausa.com



ISO 9001 ISO 14001



**AUSA Madrid** ● Pol. Ind. Coslada - C. Marconi 15-17. 28823 Coslada - MADRID (ESPAÑA) Tel.: +34 91 669 00 06 - E-mail: ausa.madrid@ausa.com

**AUSA France** ● Z. I. Saint Charles - Rue de Zürich, 66000 PERPIGNAN (FRANCE) Tel.: +33 (0) 4 68 54 38 97 - E-mail: ausa.france@ausa.com

**AUSA Deutschland** ● Heinrich - Welken Str. 5. 59069 HAMM (GERMANY) Tel.: +49 (0) 2384-9889905 - E-mail: ausa.deutschland@ausa.com

**BEIJING Rep. Office** ● Address Room 527. HengXiang Building, Tuanjieshu Nanli, Chaoyang District. - BEIJING 100026 (CHINA)

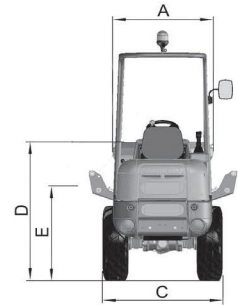
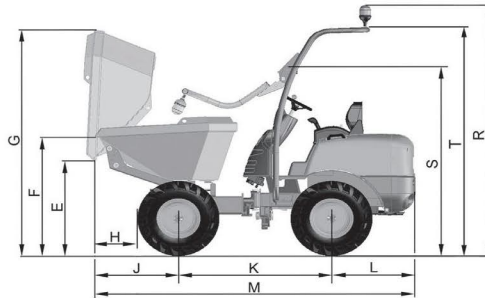
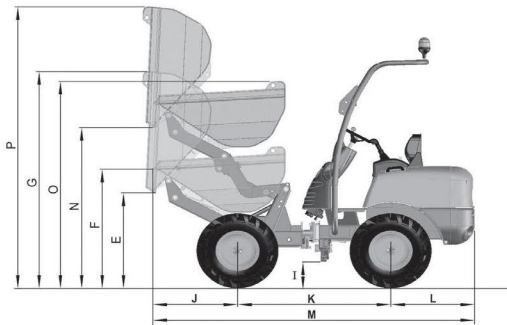
Tel.: 86-10-8597 1983 - Fax: 86-10-8597 1993 - E-mail: ausa.china@ausa.com

**AUSA UK** ● Tel.: 07970639988 - E-mail: ausa.uk@ausa.com

(Sede central AUSA-Manresa)

**D 100 AHA\_1000 Kg**

DIMENSIONS (mm)	
D 100 AHA	
A	990
B	-
C	1100 (1180, 1030, 990)
D	1440
E	935
F	1230
G	2235
H	485
I	220
J	822
K	1500
L	820
M	3142
N	1635
O	2135
P	2935
R	2605
S	1955
T	2375



**TECHNICAL SPECIFICATIONS**

TECHNICAL SPECIFICATIONS		D 100 AHA
<b>Load capacity (Kg)</b>		1000 / 1200
<b>Unloading system</b>		Hydraulic tipping
<b>Chassis</b>		Articulated +/- 35° and oscillating +/- 13°
<b>Hopper capacities (l)</b>	Water	345 / 425
	Levelled	395 / 515
	Heaped	505 / 680
<b>Engine</b>		Kubota D1105
	Power acc./SAE J 1995 (KW/CV)	16,8 KW / 22,8 CV (2700 rpm)
	N° of Cylinders	3
	Cooling system	Water
<b>Traction</b>		4 x 4 permanent
<b>Transmission</b>		Hydrostatic with variable flow pump automatic regulation. Forward and reverse control on the joystick.
<b>Engine starting system</b>		Electric
<b>Speed (max.) (Km/h)</b>		15 / 17
<b>Axles</b>		Axles with planetary wheel reduction
<b>Unladen weight (Kg)</b>		1300 / 1375
<b>Gradeability</b>		38% / 48%
<b>Hydraulic circuit</b>		Gear pump of 8 cc. Pression de travail 170 bar. / 210 bar.
<b>Tyres</b>	Standard	27x8.50-15" / 10.0/75-15.3"
	Optional	11.0 / 65 - 12; 7.00-12; 6.5/80 (D 100 AHA)
<b>External turning radius (mm)</b>		3060
<b>Steering</b>		Hydraulic
<b>Tank capacity (l)</b>	Fuel	23
	Hydraulic fluid	21.2
<b>Service and parking brake</b>		Sealed oil-immersed, multidisc, mechanically operated
<b>STANDARD EQUIPMENT</b>		Anti vandal system Ergonomic with safety belt Joystick ROPS Rotating beacon Rear view mirror Audible reverse warning (Std. UK)