



Articulated Dumper

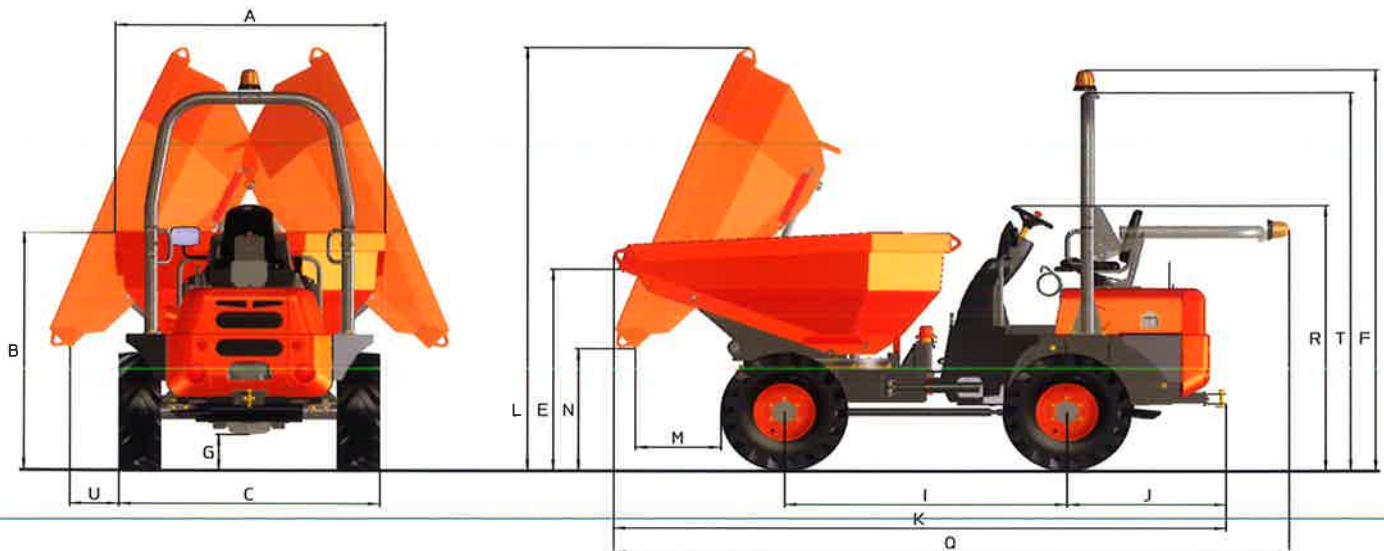
D 450 AHG



TECHNICAL DATA

GENERAL		D 450 AHG M656
Unloading system		Rotating
Load capacity	Kg	4500
Chassis		Articulated and oscillating
Water hopper capacity	l	1370
Level hopper capacity	l	2055
Heaped hopper capacity	l	2670
Empty weight	Kg	2970
Transmission		2-speed hydrostatic
ENGINE		
Brand		KUBOTA
Model		V2403M-E3B
Power	kW	36.5
Operating speed	rpm	2700
Torque	Nm@rpm	160@1600
No. of cylinders		4
Emissions		Stage IIIA - EPA Tier 4i
Noise	dB(A)	101
Consumption	l/h	7,9
CO ₂	Kg/h	21
DRIVING		
Max. speed	Km/h	21
Maximum gradient	%	35
External turning radius	mm	4830
Traction		4x4
Tyres		12.0/75-18
HYDRAULIC SYSTEM		
Hydraulic circuit		12 cc gear pump
Working pressure	bar	170
TANK CAPACITY		
Fuel	l	44
Hydraulic system	l	40
BRAKES		
Service		Sealed brakes with multiple discs in oil. Hydraulic drive
Parking		Sealed brakes with multiple discs in oil. Mechanical drive

DIMENSIONS



DIMENSIONS (mm)	D 450 AHG
A	1866
B	1838
C	1865
E	1635
F	2935
G	260
I	1960
J	1040
K	4390
L	3150
M	770
N	735
Q	4820
R	1935
T	2765
U	515