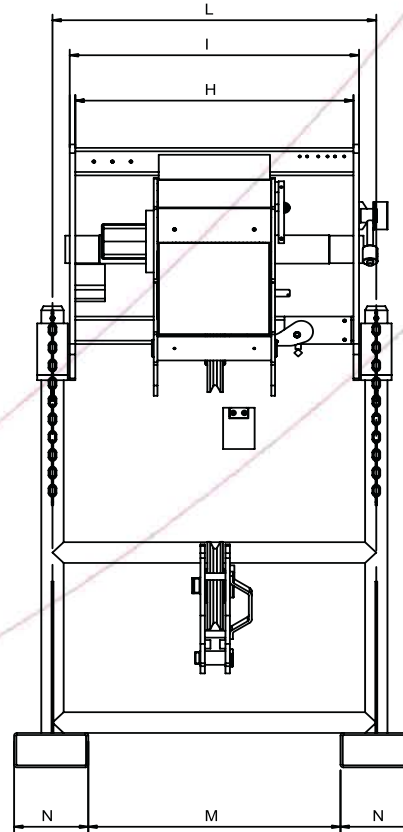
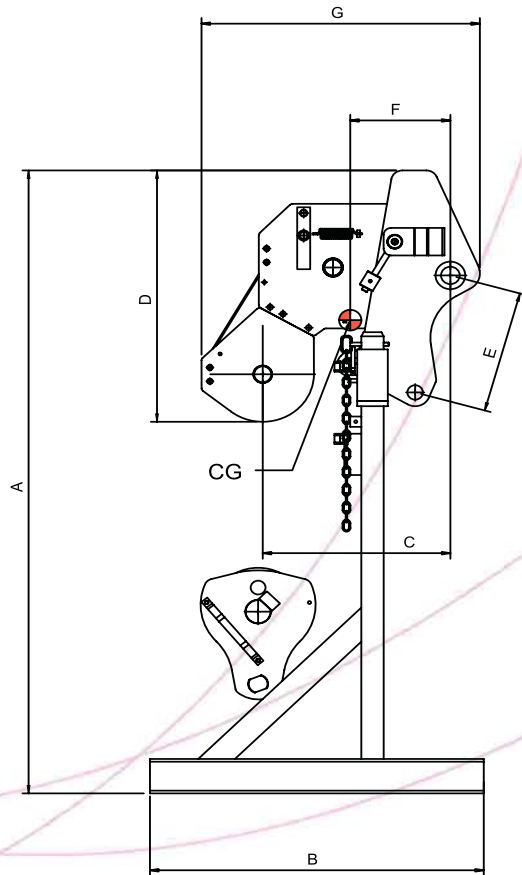


# WINCH 5 TON



*Description:*  
5 t hydraulic winch

*Specifications:*

- Line pull (3rdlayer): **5000 kg.**
- Maximum speed (3rdlayer): **21.5 m/min**
- Double** line pull
- 53 m long and 12 mm diameter cable arranged in three layers.
- Sauer-Danfoss OMSS 80 orbital motor
- Planetary reduction gear featuring negative disk brake and oil bath
- The threaded drum is equipped with a cable-pressing roller to ensure the cable is always wound correctly
- Presence of a cable guide which further improves cable winding on the drum
- ISO 4301/1 classification: **T4,L2,M4**

*Safety features:*

- Positive hydraulic descent limit stop
- Positive hydraulic ascent limit stop

## CHARACTERISTICS

DESCRIPTION	LOAD LIMIT	OVERALL LENGTH											WEIGHT	
		A	B	C	D	E	F	G	H	I	L	M		N
WINCH 5T	5000 KG	1810	900	557	814	353	320	838	126	750	15	680	200	510 KG