

MRT 2550 PRIVILEGE PLUS

Gemaakt op 14 april 2021 om 08:22:13 UTC

Technische fiche :

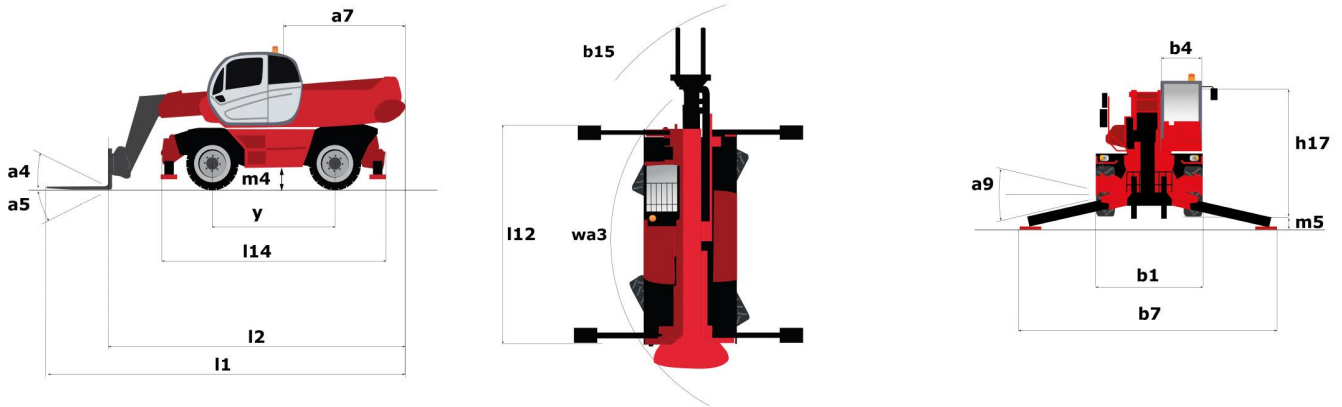
MRT 2550 PRIVILEGE PLUS





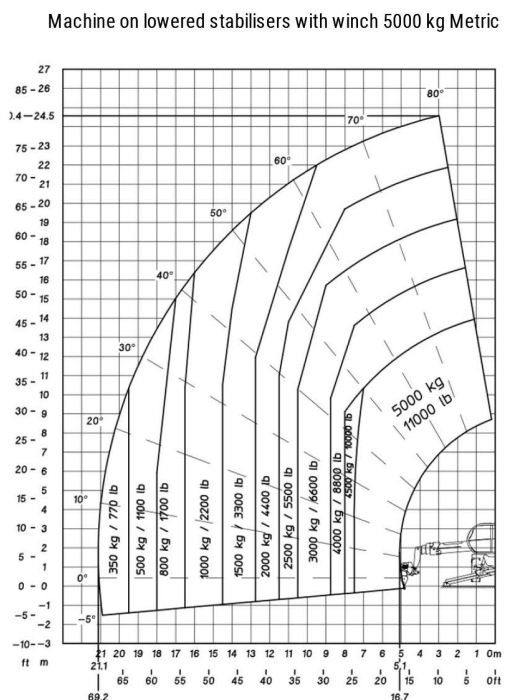
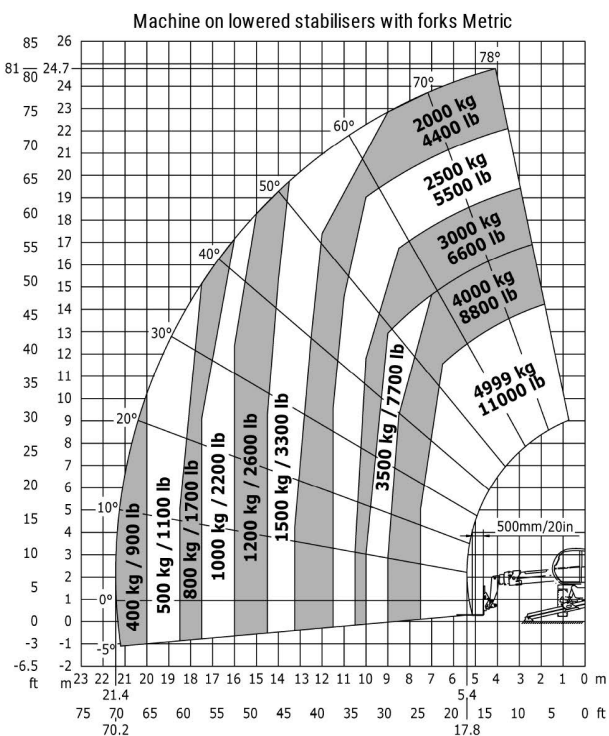
Capacities		Metrisch
Max. capacity	Q	4999 kg
Max. lifting height	h3	24.7 m
Max. Reach	l4	21.4 m
Weight and dimensions		
Overall width	b1	2.49 m
Overall height	h17	3.05 m
Overall cab width	b4	0.99 m
Outer frame turning radius	Wa3	5.23 m
Ground clearance	m4	0.35 m
Wheelbase	y	3.05 m
Tilt-up angle	a4	13 °
Tilt-down angle	a5	102 °
Turret rotation		360 °
Overall weight		18900 kg
Forks length / width / section	l / e / s	1200 mm x150 mm x 50 mm
Wheels		
Tyres type		Pneumatic
Standard tyres		445/65 R22,5
Drive wheels (front / rear)		2 / 2
Steering mode		2 wheel steer, 4 wheel steer, Crab mode
Stabilisers		
Stabs Type		Telescopic Duplex
Controls with stabs		Stabs Commands Individual or Simultaneous
Engine		
Engine brand		Mercedes
Engine norm		Stage IV / Tier 4 Final
Engine model		OM 934 LA.E4-5
I.C. Engine power rating / Power (kW)		156 Hp / 115 kW
Max. torque / Engine rotation (min) / Engine rotation		675 Nm @ 1200 rpm - 1600 rpm
Number of cylinders - Capacity of cylinders		4 - 5130 cm³
Injection		engine Injection direct
Engine cooling system		Water
Number of batteries / Battery / Batteries capacity		2 x 12 V / 120 Ah
Transmission		
Transmission type		Hydrostatic
Number of gears (forward / reverse)		2 2
Max. travel speed		40 km/h
Drawbar pull (Laden)		8700 daN
Parking brake		Automatic Negative Hand-brake
Service brake		Hydraulic
Hydraulics		
Hydraulic pump type		Gear pump
Hydraulic flow		115 l/min
Hydraulic Pressure		275 Bar
Tank capacities		
Engine oil		14 l
Hydraulic oil		225 l
Fuel tank		305 l
Diesel Exhaust fluid (AdBlue® type)		57 l
Noise and vibration		
Noise at driving position (LpA)		79.7 dB(A)
Environmental noise (LwA)		108 dB(A)
Vibration to whole hand/arm		< 2.50 m/s²
Miscellaneous		
Steering wheels (front / rear)		2 / 2
Controls		2 Joysticks
Safety cab homologation		ROPS - FOPS cab (level 2)
Attachment recognition system (E-Reco)		Standard

Tekening met afmetingen

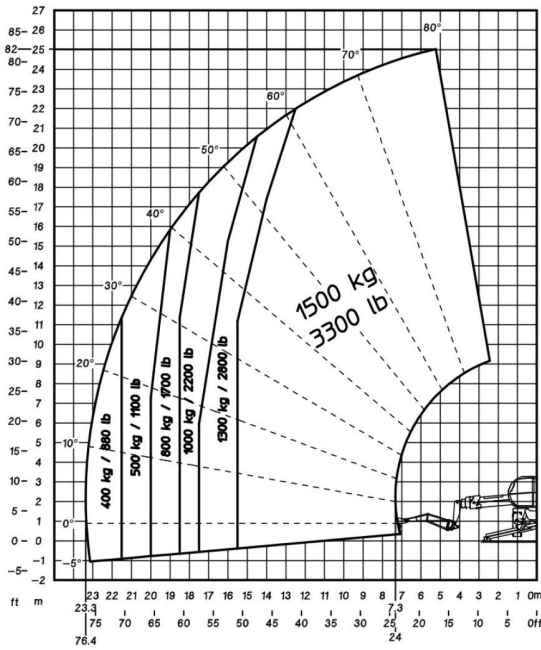


Andere gegevens		Metrisch
Overall length (with forks)	l1	9.04 m
Length to face of forks	l2	7.84 m
Length of frame	l14	5.35 m
Wheelbase	y	3.05 m
Ground clearance	m4	0.35 m
Counterweight offset (turret at 90°)	a7	3.18 m
Tilt-up angle	a4	13 °
Tilt-down angle	a5	102 °
Overall length at stabilisers	l12	5.19 m
Outer frame turning radius	Wa3	5.23 m
Outer turning radius (with forks)	b15	6.92 m
Overall width	b1	2.49 m
Overall width with stabilisers extended	b7	5.55 m
Overall cab width	b4	0.99 m
Overall height	h17	3.05 m
Frame levelling corrector	a9	+/- 8 °
Ground clearance under front tires on stabilizers	m5	0.23 m

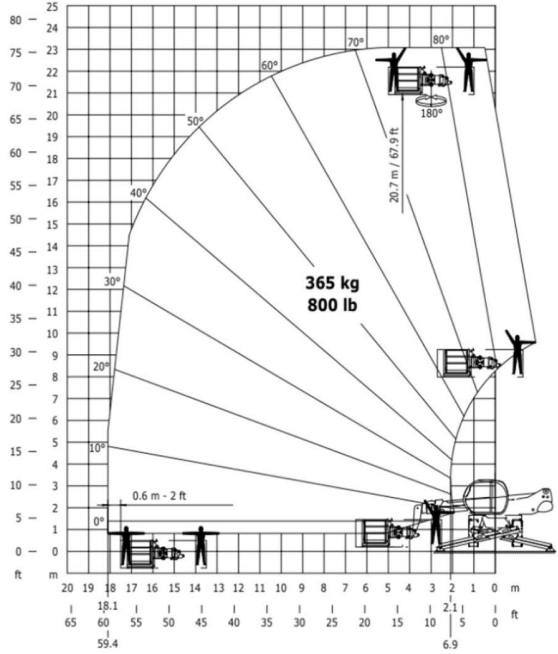
Lastendiagram



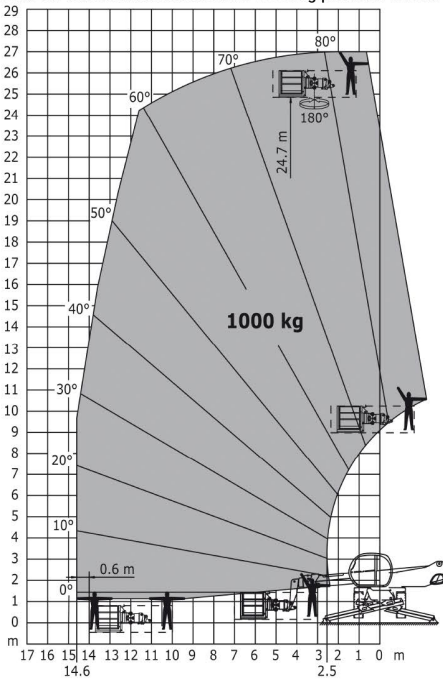
Machine on lowered stabilisers with 1500 kg jib Metric



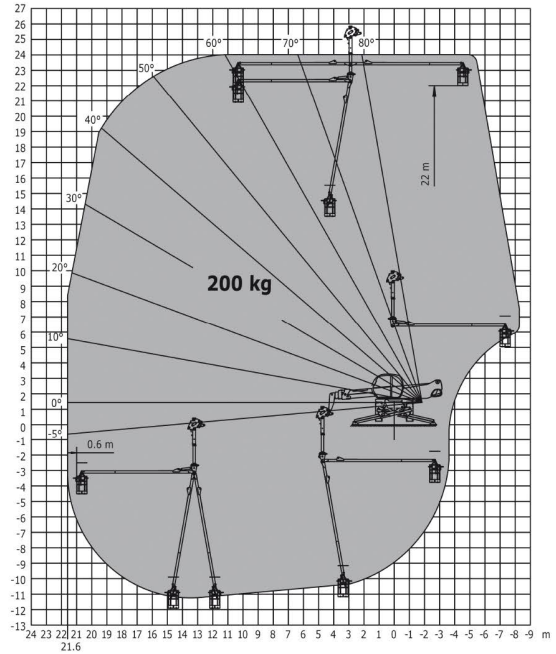
Machine on lowered stabilisers with 365 kg platform Metric



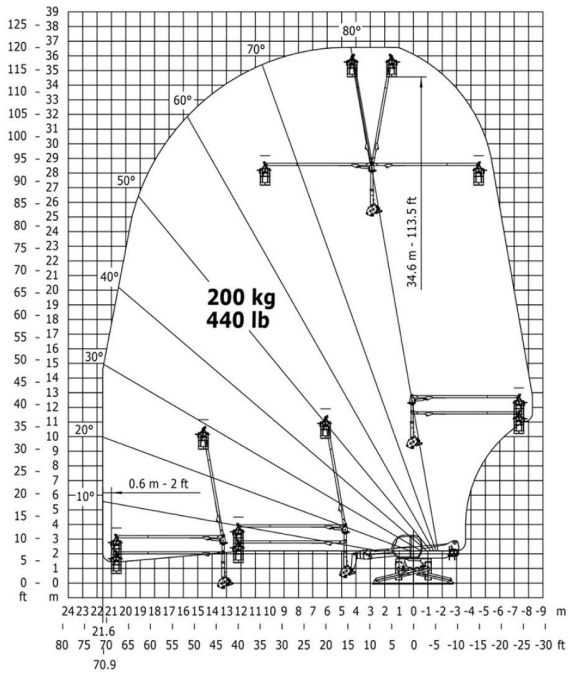
Machine on lowered stabilisers with 1000 kg platform Metric



Machine on lowered stabilisers with 3D negative Metric



Machine on lowered stabilisers with 3D positive / negative Metric



Machine on tyres with forks Metric

