

ECO-UNIC

(0.995t x 3.5m)
(2.9t x 1.4m)

- Total width 0.75m
- Max working radius 8.41m
- Multi-position configurable outriggers (Eco-095)
- Operator control of outrigger extension
- Intelligent voice warning system
- Preliminary stability warning system with motion cut
- Radio remote control as standard
- Working area limitation (Eco-295)
- Optional slew limitation (Eco-295)

Capacity 0.995t x 3.5m (095)
Capacity 2.9t x 1.4m (295)

Max Boom Length 8.65m

Max Lifting Height 8.9m

Weight 2425kg



Optional searcher hook & fly jib



Lifting capacity	700kg (max)
Length	1500mm
Weight	40kg
Tilt angles	0°, 20°, 40°, 60°

Digital battery gauge

Introducing the latest in mini crane engineering, the UNIC battery powered Eco-095 and Eco-295 models provide fume-free lifting for sensitive environments. Ideal for food processing plants,



listed buildings, shopping centres, airports and clean environments, these unique mini cranes are powered by a rechargeable 48v battery yet retain all the lifting power of our standard models. Innovative features include low-marking wheels which enable the cranes to work on light-coloured or polished surfaces.

ADDITIONAL FEATURES



Radio remote control



Full safe load indicator (Eco-295 only)



Full safe load indicator (Eco-295-2 only)

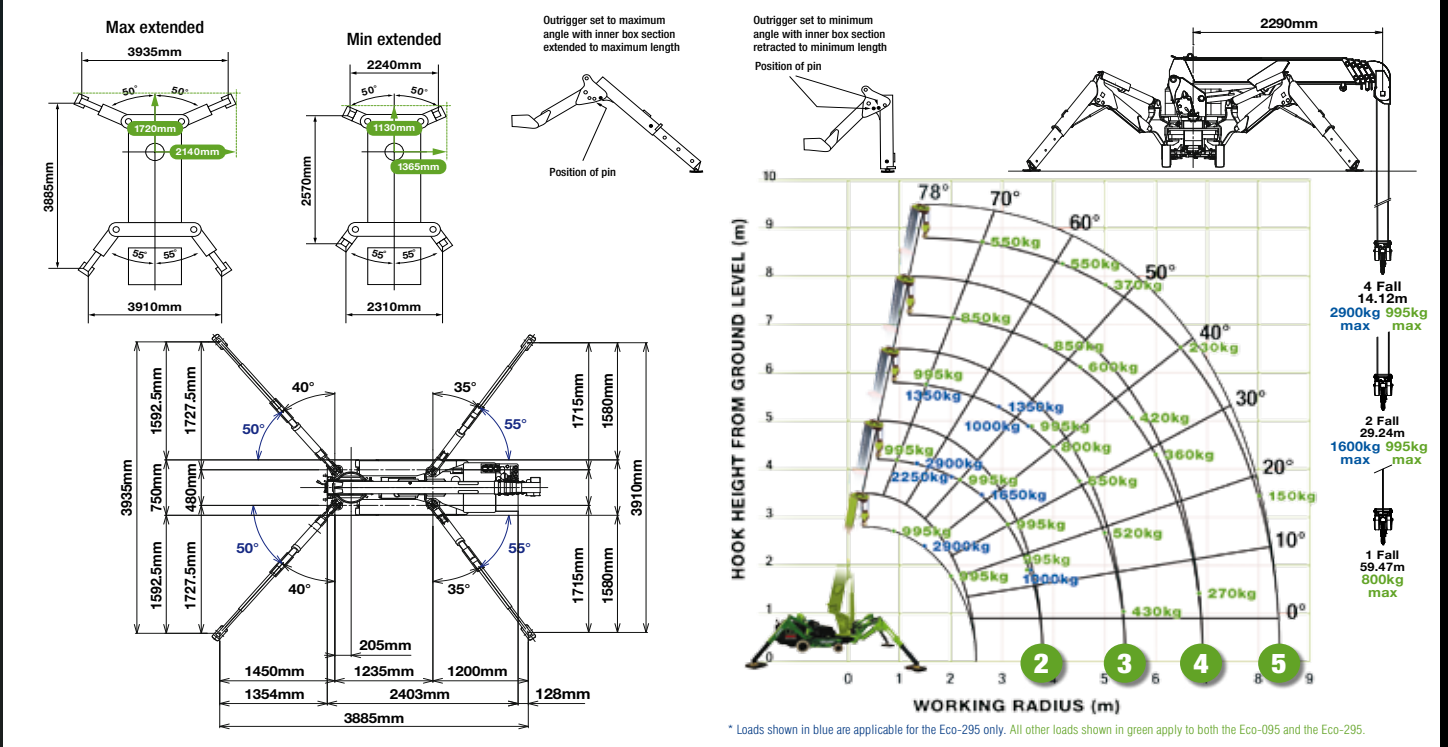
CRANE SPECIFICATIONS

Crane capacity	Eco-095: Eco-295:	0.995t x 3.5m 2.9t x 1.4m
Max working radius	max:	8.41m
Max lifting height	max:	8.9m
Rope length	max:	14.12m (4 fall), 29.24m (2 fall), 59.47m (1 fall)
Dimensions	folded:	2730mm (l) x 750mm (w) x 1560mm (h)
Weight	unladen:	2425kg (2490kg with jib)
Point loadings	Due to the many variables involved, point loadings are only available on request	
Hook speed	approx:	4.7m/min (with 4 layers and 4 falls)
Telescopic system	boom length: telescoping speed: boom type:	2.53 - 8.65m 6.12m/40 seconds 5 section hydraulically telescoping boom, hexagonal box construction
Derricking angle/speed	approx:	0 - 78°/21 seconds
Slewing angle/speed	approx:	360° (continuous) 1.5 rpm
Travelling system	drive: travel speed: steering angle: min. turning radius: gradeability:	hydraulic motor wheeled drive 1.5-1.8km/h 50° left and 50° right outer 1990mm x inner 510mm ± 20° (vertical) 10° (traverse)
Size of tyres	front: rear:	4.00-8 (wheel RIM 3.00 D-8) 3.50-5 (wheel RIM 3.00 SP-5)
Power source	power: voltage:	3.1kW (AC motor) 48v DC rechargeable battery
Battery charger	charger:	200/240v single phase (15A)
Standard equipment Eco-095	radio remote control, overwinding alarm, computer controlled intelligent voice warning system, multi-function operation by radio remote control, intelligent throttle activation, automatic hook stow, load indication, turn-over protection system with stability warning lamps and alarm	
Standard equipment Eco-295	computer controlled moment limiter (safe load indicator), radio remote control, overwinding alarm, computer controlled intelligent voice warning system, multi-function operation by radio remote control, intelligent throttle activation, automatic hook stow, overload warning alarms, overload warning lamps, working area limitation	
Optional equipment	1 fall hook block, 2 fall hook block, 300kg capacity small searcher hook, 700kg capacity searcher hook, 700kg capacity fly jib with single part line, 600kg capacity hydraulic fly jib (Eco-295-2 only)	

MINI SPIDER CRANE



RATED LOADS & OUTRIGGER POSITIONS



SECOND STAGE EXTENDED 2.53 - 4.075M BOOM LENGTH

Working radius	m	up to 1.0	1.4	1.5	1.8	2.0	2.5	3.0	3.5	3.835	
Outrigger	Max-extended	kg	995 (2,900)	995 (2,900)	995 (2,650)	995 (2,250)	995 (2,050)	995 (1,650)	995 (1,300)	995 (1,000)	900
	Min-extended	kg	995 (2,000)	995 (2,000)	995 (2,000)	995 (1,450)	995 (1,100)	650	490	350	250

* Loads shown in blue are applicable for the Eco-295 only. All other loads shown in black apply to both the Eco-095 and the Eco-295.

THIRD STAGE EXTENDED 4.075 - 5.61M BOOM LENGTH

Working radius	m	up to 2.2	2.5	2.9	3.0	3.5	4.0	4.5	5.0	5.37	
Outrigger	Max-extended	kg	995 (1,350)	995 (1,350)	995 (1,350)	995 (1,250)	995 (1,000)	800	650	520	430
	Min-extended	kg	800	650	530	500	380	280	220	160	120

FOURTH STAGE EXTENDED 5.61 - 7.13M BOOM LENGTH

Working radius	m	up to 3.3	3.8	4.0	4.5	5.0	5.5	6.0	6.5	6.89	
Outrigger	Max-extended	kg	850	850	750	600	500	420	360	320	270
	Min-extended	kg	420	340	300	250	190	140	100	80	60

FIFTH STAGE EXTENDED 7.13 - 8.65M BOOM LENGTH

Working radius	m	up to 3.8	4.1	4.5	5.0	5.5	6.0	6.5	7.0	8.0	8.41	
Outrigger	Max-extended	kg	550	550	450	370	310	270	230	200	150	130
	Min-extended	kg	350	290	250	200	160	130	100	70	40	30

SEARCHER HOOK SMALL - 300kg

Stowed position



In operation



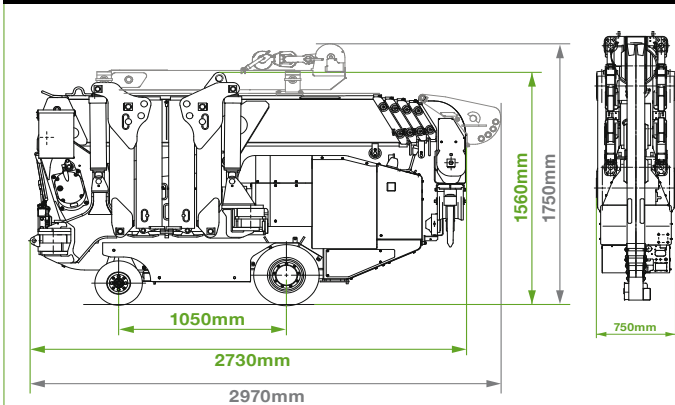
Lifting capacity 300kg (max)

Length 500mm

Weight 15kg

Tilt angles 0°, 20°, 40°, 60°

DIMENSIONS



OUTRIGGER POSITIONS

